

T-Roller Cam Latch

Flush • Key Turn

PART NUMBER

AU-102051 T-handle Key
AU-102052 Latch Assembly

- Removable handle design helps control access
- Flush exterior suitable for floor latch applications
- Premium finish and corrosion resistance
- Max. static load: 160 N (36 lbs)
- T-handle pull-out force: 2200 N (495 lbs)
- Can be used exterior or interior
- Weather proof design

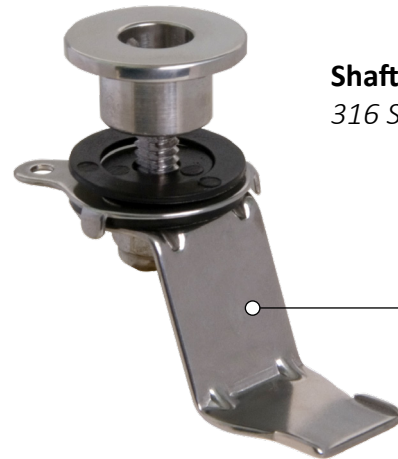
APPLICATION



Keeper roller and Spacer
Nylon Black

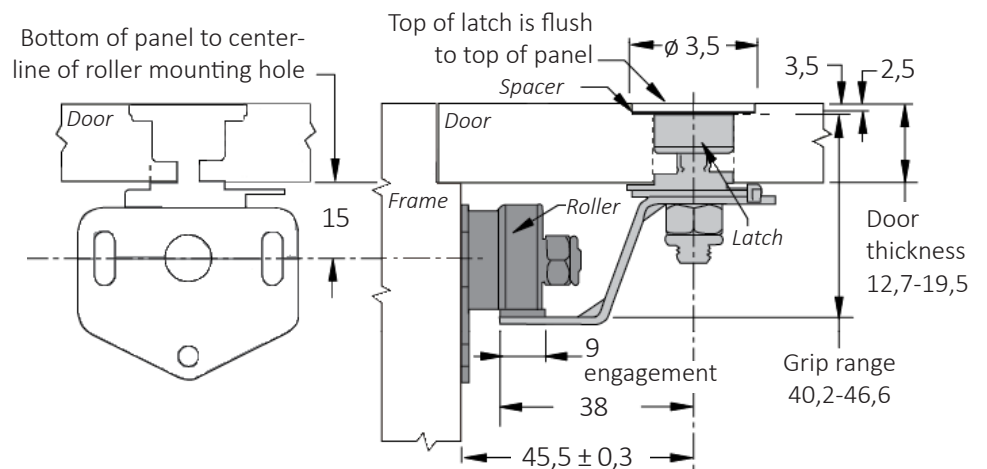
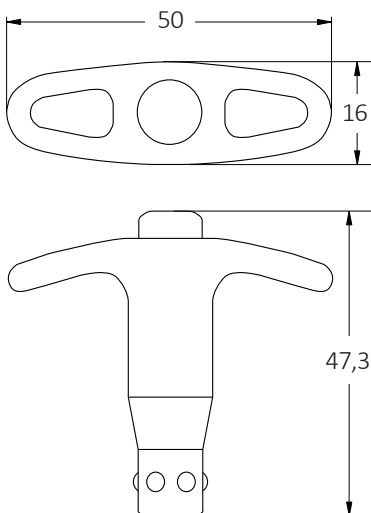


T-handle Key
304 Stainless Steel



Shaft body
316 Stainless Steel

MEASUREMENTS (MM)



For technical and detailed information please visit www.onmar.com

T-Roller Lift

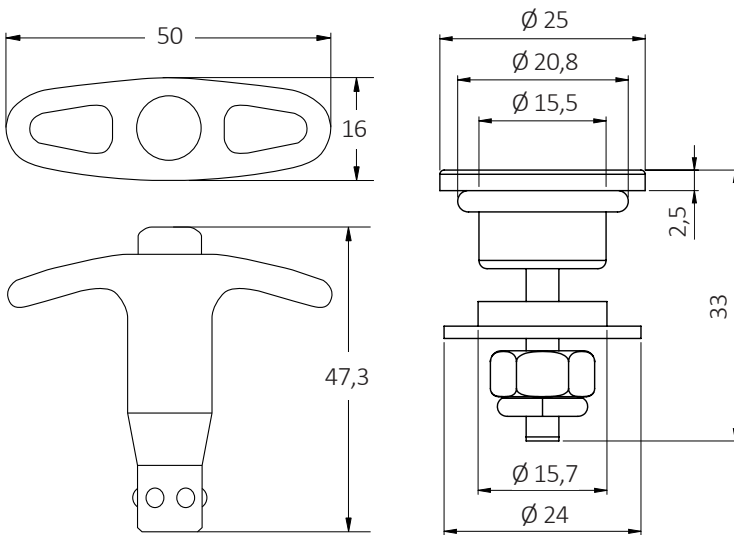
Flush • Key Turn

PART NUMBER

AU-102051 T-handle Key
AU-102180 Latch Assembly

- Removable handle design helps control access
- Flush exterior suitable for floor latch applications
- Premium finish and corrosion resistance
- Max. static load: 160 N (36 lbs)
- T-handle pull-out force: 2200 N (495 lbs)
- Can be used exterior or interior
- Weather proof design

MEASUREMENTS (MM)



T-handle Key
304 Stainless Steel



Latch assembly
316 Stainless Steel

APPLICATION



OPERATION

Push T-handle button and insert into housing. Release button and slightly rotate the T-handle until it is secured into housing.

For technical and detailed information please visit www.onmar.com